

M8 / M10

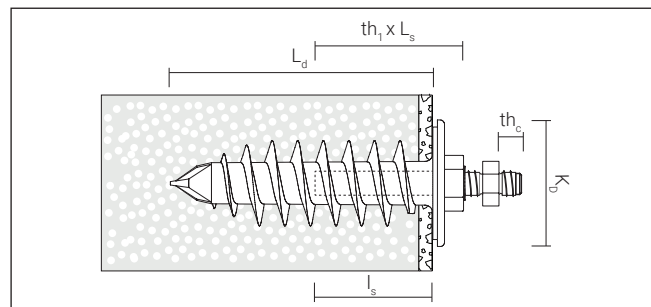
Key features

- Perfect solution for fastening downpipes in ETICS: simple, flexible, fast and adjustable!
- Direct fastening into the insulation material. No thermal bridge.
- Pre-mounted special threaded stud: ideal distance of 30 mm of the rainwater downpipe from the wall; adjustment of further 25 mm possible.
- Pre-assembled and weather resistant EPDM sealing ensures clean sealing against driving rain up to wind force 11 (violent storm), tested according to DIN EN 1027, no reworking required.
- Self-drilling (ETICS plaster ≤ 7 mm) and robust nylon plug, ageing resistant
- Special threaded stud made out of stainless steel A2 or zinc flake coating for optimal corrosion resistance.

Approvals and homologations



Main dimensions [mm]

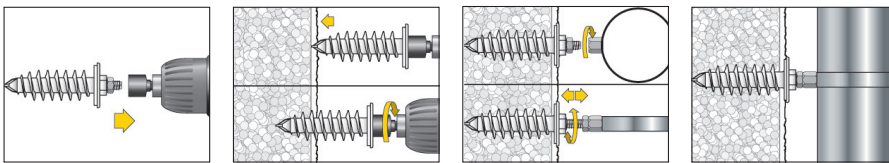


Base materials

- External Thermal Insulation Composite Systems (ETICS)
- Hard foam boards
- Polystyrene boards
- Heraklith boards
- Wood fibre insulation boards (pre-drilling: 13 mm, HSS-drill or wood drill recommended)

Type	Art-No.	L_d (mm)	th_1 (mm)	L_s (mm)	th_c (mm)	K_D (mm)	l_s (mm)	Material	Recess
IPL 95DS M8	ZG895IPLDS4	95	M10	60	M8	44,5	20-50	Zink flake coating	SW 17 / SW 13 / TX 25
IPL 95DS M10	ZG95IPLDS4	95	M10	60	M10	44,5	20-50	Zink flake coating	SW 17 / SW 13 / TX 25
IPL 95DS M8 A2	X895IPLDS4	95	M10	60	M8	44,5	20-50	Stainless steel A2	SW 17 / SW 13 / TX 25

Installation procedure



Scan the QR and access the assembly video

The IPL 95DS can be installed with a hexagon SW17 (recommended), hexagon SW13 socket or TX25 bit.

The special threaded stud can be adjusted up to 25 mm.

Tip: If the plug should rotate, fixate it with a wrench SW17.

Recommended loads

Type	Polystyrene EPS (PS15,PS20) F_{Rec} (kN)	Polystyrene XPS F_{Rec} (kN)	Special thread stud	Screw insertion depth l_s	
				Min. (mm)	Max. (mm)
IPL95DS	0,14	0,28	Total length 60 mm Thread inside the plug: 50 mm	20	50

F_{Rec} : Recommended load in all directions incl. safety factor of 5.

Applications

